

Non-return Valve

BOA-RPL/RPLGS/RPL F-F

PN 10/16
DN 25-300
Flanged or Threaded Ends

Type Series Booklet



Legal information/Copyright

Type Series Booklet BOA-RPL/RPLGS/RPL F-F

KSB Aktiengesellschaft

All rights reserved. The contents provided herein must neither be distributed, copied, reproduced, edited or processed for any other purpose, nor otherwise transmitted, published or made available to a third party without KSB's express written consent.

Subject to technical modification without prior notice.

© KSB Aktiengesellschaft Frankenthal 2013

Check Valves and Strainers

Non-return Valves

BOA-RPL/RPLGS/RPL F-F



Main applications

- Irrigation systems
- Domestic water supply
- Sewage treatment plants
- Air-conditioning systems
- Cooling circuits
- Water treatment
- Water supply systems
- Food and beverages industry

Fluids handled

- Cooling water
- Drinking water
- River, lake and groundwater
- Service water
- Waste water

Operating data

Operating properties

Characteristic	Value
Nominal pressure	PN 10/16
Nominal size	DN 25-300
Max. permissible pressure	16 bar (DN 25 - 200) 10 bar (DN 250 - 300)
Max. permissible temperature	70 °C

Selection as per pressure/temperature ratings (⇒ Page 4)

Body materials

Overview of available materials

Material	Material number	Temperature limit
BOA-RPL/RPL F-F		
EN-GJL-250	EN-JL1040	+70 °C
BOA-RPLGS		
EN-GJS-400-15	EN-JS1030	+70 °C

Design details

Design

- Ball check valve to EN 1074-3
- Tested to EN 12266-1
- BOA-RPL made of lamellar graphite cast iron
- BOA-RPLGS made of nodular cast iron
- BOA-RPL F-F with threaded ends to ISO 7/1
- Bolted cover
- Drain plug
- Unblocking device
- Valve certified for drinking water applications to D.M. 174/2004
- DN 50 to DN 150: PN 10/16 flanges
- DN 200 to DN 300: PN 10 flanges
- Suitable for horizontal and vertical installation

Variants

- Other material variants
- Larger nominal sizes

Product benefits

- Valve easy to inspect and drain via standard drain plug.
- Unblocking device as standard, no special tools required for unblocking the ball.
- Approved for drinking water applications due to epoxy coating

Related documents

- Operating manual V 979011/1.10

On all enquiries / orders please specify

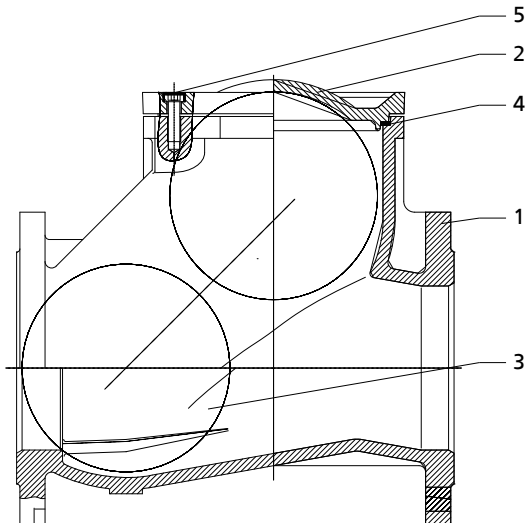
1. Type
2. Nominal pressure
3. Nominal size
4. Variants
5. Number of type series booklet

Pressure/temperature ratings

Permissible operating pressures in bar at temperatures in °C

Nominal pressure	Nominal size	Permissible operating pressures ¹⁾
PN	DN	Up to +70 °C
10	50-300	10,0
16	25-200	16,0

Materials



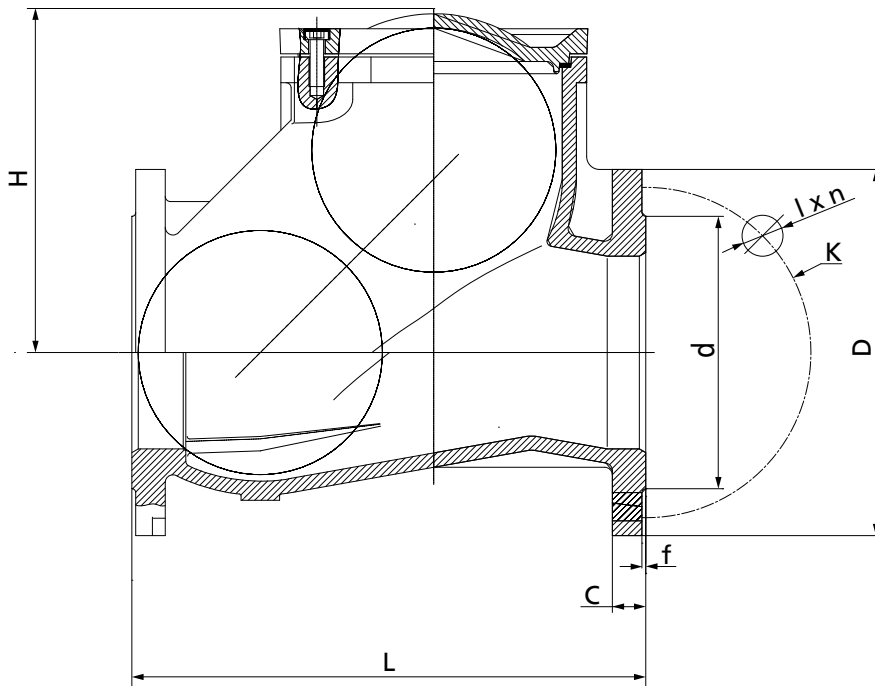
Overview of available materials

Part No.	Description	Material	Material number	Note
1	Body	EN-GJL-250	EN-JL1040	Epoxy-coated
		EN-GJS-400-15	EN-JS1030	Epoxy-coated
2	Cover	EN-GJL-250	EN-JL1040	
		EN-GJS-400-15	EN-JS1030	
3	Ball	Aluminium		NBR-coated
4	Cover gasket	NBR		
5	Screw	Galvanised steel	Fe/Zn5	

¹⁾ Static load

Dimensions

Dimensions of BOA-RPL



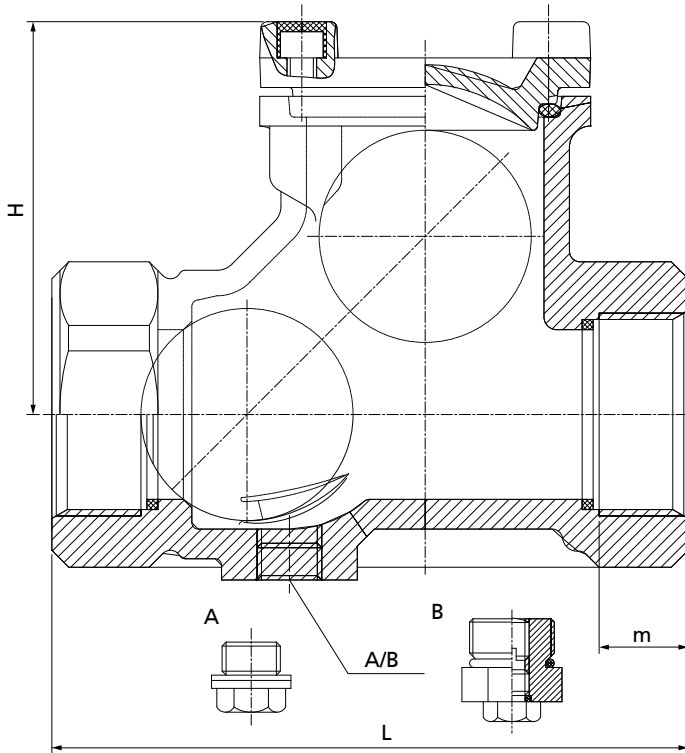
Dimensions in mm

PN	DN	L	H	d	D	K	l	n	C	f	[kg]
10/16	50	200	113	102	165	125	18	4	20	3	8,3
	65	240	126	122	185	145	18	4	20	3	12,3
	80	260	162	138	200	160	18	8	22	3	16,8
	100	300	194	158	220	180	18	8	24	3	23,1
	125	350	214	188	250	210	18	8	22	3	37,2
	150	400	260	212	285	240	22	8	26	3	53,1
	200	500	320	268	340	295	22	12	22	3	98,8
10	250	600	365	320	395	350	22	12	22	3	135,7
	300	700	427	370	445	400	22	12	22	3	220,0

Mating dimensions - Standards

Face-to-face lengths: EN 558-1/48
Flanges: DIN EN 1092-2

Dimensions of BOA-RPL F-F



Dimensions in mm

PN	DN	L	m	H	[kg]
16	25	120	18	75	1,8
	32	140	18	75	2,3
	40	150	20	89	3,1
	50	220	35	113	4,6

Mating dimensions - Standards

Face-to-face lengths: see table
Threaded ends: ISO 7/1

Notes on installation

Suitable for horizontal and vertical installation



KSB Italia S.p.A.

Via Massimo D'Azeglio, 32

20049 Concorezzo MB

Tel. +39 039 6048-000 – Fax +39 039 6048-097

www.ksb.com

Centri Service

Concorezzo MB • Via Massimo D'Azeglio, 32

Tel. +39 039 6048-000 • Fax +39 039 6048-882

Scorzè VE • Via Guido Rossa, 12/A

Tel. +39 041 5840917 • Fax +39 041 5840918